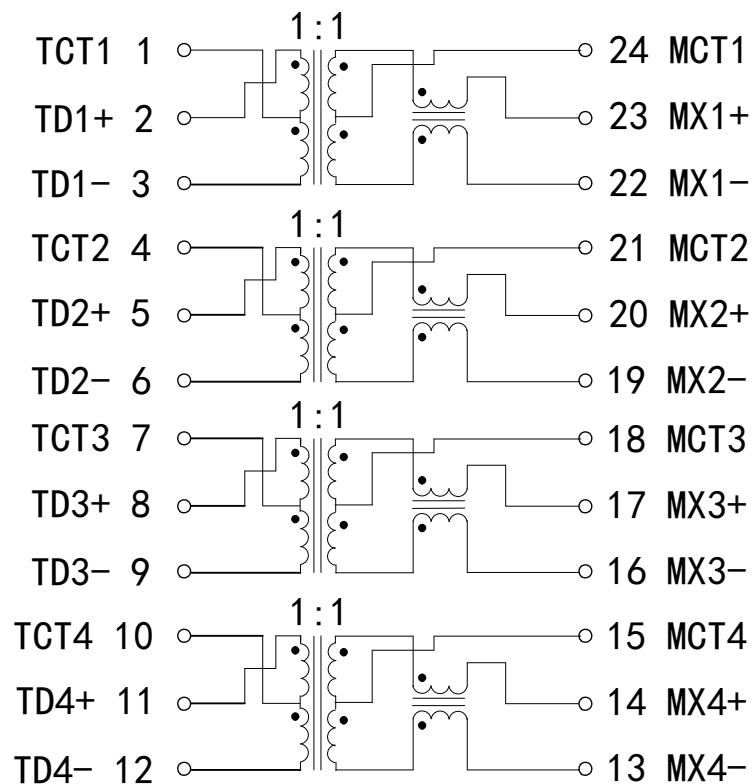


# Schematic:

REV.	ECN NO.	DESCRIPTION	DATE	APPD
A	REL		2010/08/04	



## Electrical Specifications @25°C

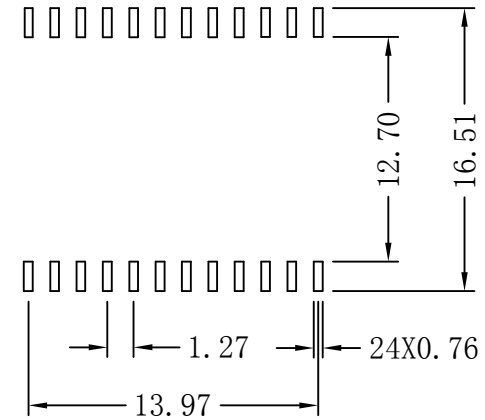
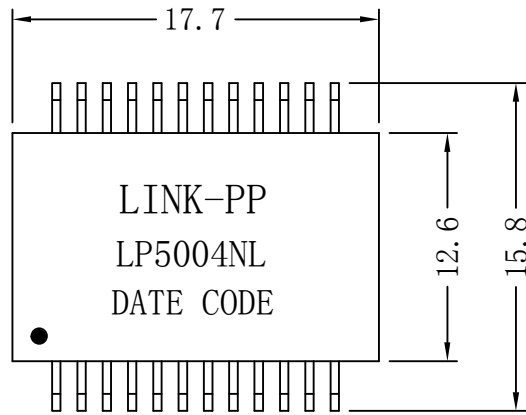
- Insertion Loss:  
1-100MHz:-1.0dB MAX
- Return Loss(dB MIN @100Ω):  
1-30MHz:-18      40MHz:-18  
50MHz:-16      60-80MHz:-12  
100MHz:-10
- Crosstalk(dB MIN):  
30MHz:-45      60MHz:-40  
100MHz:-35
- DCMR(dB MIN):  
30MHz:-43      60MHz:-37  
100MHz:-33
- Hipot: 1500Vrms Min
- Operating Temperature:-40°C ~ +85°C



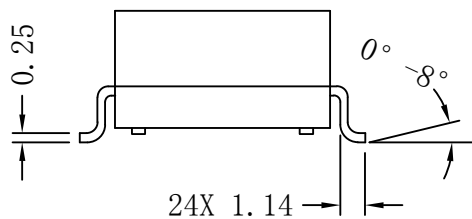
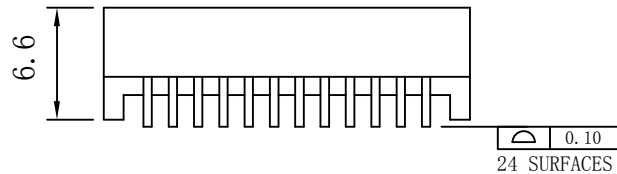
X:X	±0.20	APPD:	LINK-PP INT'L TECHNOLOGY CO., LIMITED
X:XX	±0.10	CHKD:	
X:XXX	±0.05	DR: TOM	Title: 1000Base-T Magnetic Modules
ANGLES	±1°	UNIT: mm	PART NO.: LP5004NL
	SCALE: 2/1	SHEET: 1/2	REV: A    DWG NO.: LP10081229

# Mechanical:

REV.	ECN NO.	DESCRIPTION	DATE	APPD
A	REL		2010/08/04	



SUGGESTED PAD LAYOUT



## NOTES:

1. Designed to support 1:1 Turns Ratio Transceivers
2. Compliant with IEEE 802.3ab standard for 1000 Base-T.
3. 350uH min OCL with 8mA bias current.
4. RoHS "NL" peak solder rating  $260^{\circ}\text{C} \pm 5^{\circ}\text{C}$ .

X:X	$\pm 0.20$	APPD:	LINK-PP INT'L TECHNOLOGY CO., LIMITED
X:XX	$\pm 0.10$	CHKD:	
X:XXX	$\pm 0.05$	DR: TOM	Title: 1000Base-T Magnetic Modules
ANGLES	$\pm 1^{\circ}$	UNIT: mm	PART NO.: LP5004NL
	SCALE: 2/1	SHEET: 2/2	REV: A DWG NO.: LP10081229

Sales Department A-B2

Sales Engineer / Summer Ming - 明夏

Tel: 0086-752-3322915      Mob: 0086-180-2668-6530

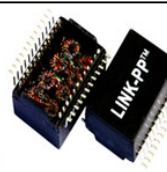
Fax: 0086-752-3161926

E-mail: Summer@link-pp.com

www.link-pp.com

LINK- PP INT'L TECHNOLOGY CO., LIMITED

Jia An Industrial Park, Chenjiang Rd, Zhongkai Hightech Zone, Huizhou City,  
516003, China



LINK- PP INT'L TECHNOLOGY CO., LIMITED

Seris : LPJXXXXXXXX / LPXXXXXXXX / LPAXXXXXXX