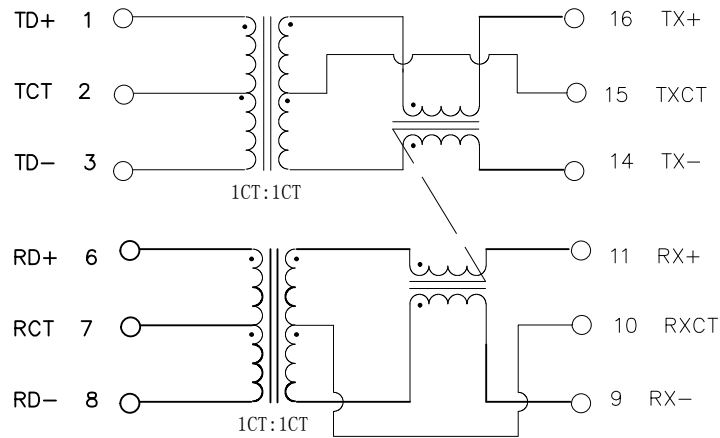


# Schematic:



REV.	ECN NO.	DESCRIPTION	DATE	APPD
A	REL	SIN 10/100BT, 16P, SMT/POE	05/06/2014	

## Electrical Specification @25°C

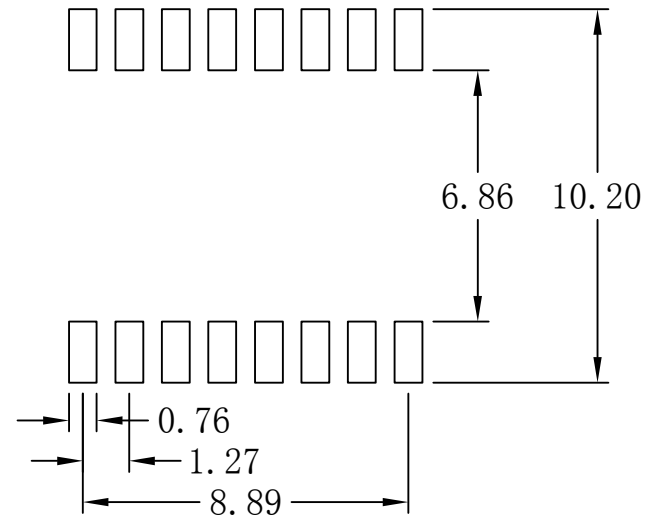
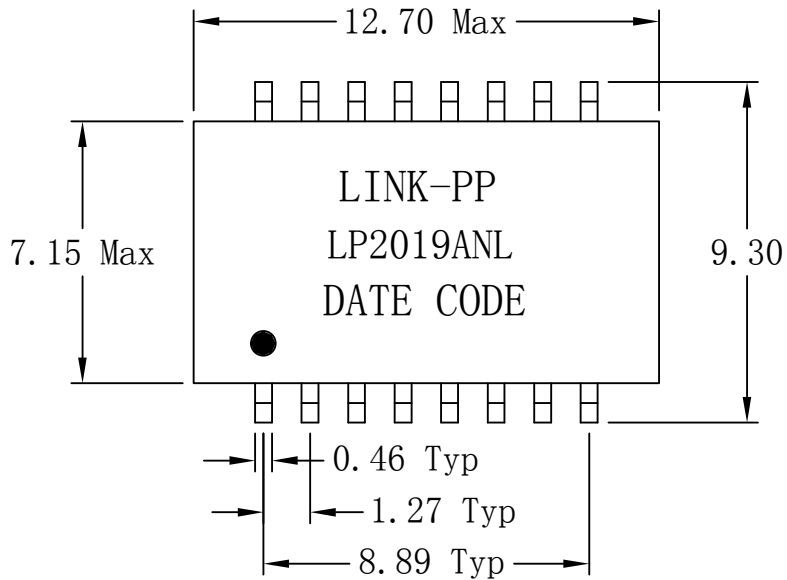
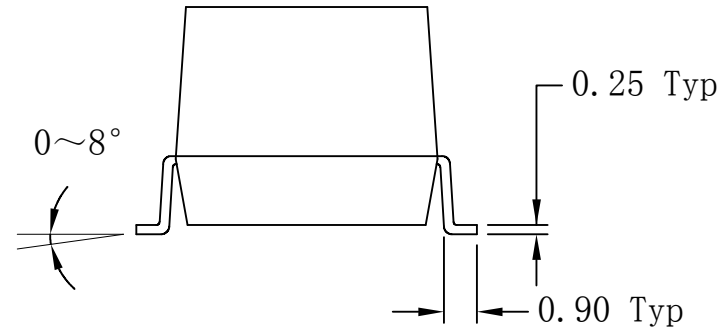
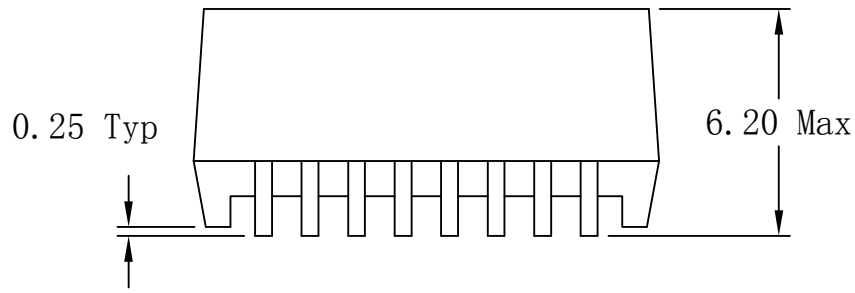
- Turns Ratio:  
TX=1CT:1CT      RX=1CT:1CT
- Insertion Loss:  
0.1-100MHz:-1.0dB MAX
- Return Loss:  
0.1-30MHz:-18dB MIN  
30-60MHz: -13dB MIN  
60-80MHz:-12dB MIN
- Crosstalk:  
0.1-100MHz:-35dB MIN
- DCMR:  
30MHz:-42dB MIN  
60MHz:-36dB MIN  
100MHz:-33dB MIN
- CMRR:  
1-100MHz: -40dB TYP
- L: 1-3, 6-8:  
350uH MIN 100KHz 0.1V 8mADC
- DCR: 1-3, 6-8: 0.9 OHM MAX
- LK:  
1-3(Tie:16+14):0.5uH MAX 100KHz 0.1V  
6-8(Tie:11+9): 0.5uH MAX 100KHz 0.1V
- Cw/w:  
(1-3), (16-14):28pF MAX 100KHz 0.1V  
(6-8), (11-9): 28pF MAX 100KHz 0.1V
- Isolation Voltage: 1500Vrms
- Operating Temperature: -40°C~+85°C.



X:X	APPD:	LINK-PP INT'L TECHNOLOGY CO., LIMITED
X:XX	CHKD:	
X:XXX	DR: TOM	Title: 10/100Base-TX VoIP Magnetics Modules & POWER Over Ethernet (PoE)
ANGLES ± 1°	UNIT: mm	PART NO.: LP2019ANL
	SCALE: 2/1	SHEET: 1/2
	REV: A	DWG NO.: LP09061229

# Mechanical:

REV.	ECN NO.	DESCRIPTION	DATE	APPD
A	REL	SIN 10/100BT, 16P, SMT/POE	05/06/2014	



SUGGESTED PAD LAYOUT

## NOTES:

1. Designed to support application, such as SOHO (ADSL modems), LAN-on-Motherboard (LOM), hub and Switches.
2. Power over Ethernet (PoE) Magnetics
3. PoE applications current capability: 350mA.
4. With various Turns Ratios.
5. RoHS "NL" peak solder rating  $255 \pm 5^\circ\text{C}$ .

Dimensions: mm

Unless otherwise specified, all tolerances are  $\pm 0.25$

X:X	APPD:	LINK-PP INT'L TECHNOLOGY CO., LIMITED		
X:XX	CHKD:	Title: 10/100Base-TX VoIP Magnetics Modules & POWER Over Ethernet (PoE)		
X:XXX	DR: TOM	PART NO.: LP2019ANL		
ANGLES $\pm 1^\circ$	UNIT: mm			
	SCALE: 2/1	SHEET: 2/2	REV: A	DWG NO.: LP09061229

Sales Department A-B2

Sales Engineer / Summer Ming - 明夏

Tel: 0086-752-3322915      Mob: 0086-180-2668-6530

Fax: 0086-752-3161926

E-mail: Summer@link-pp.com

www.link-pp.com

LINK- PP INT'L TECHNOLOGY CO., LIMITED

Jia An Industrial Park, Chenjiang Rd, Zhongkai Hightech Zone, Huizhou City,  
516003, China



LINK- PP INT'L TECHNOLOGY CO., LIMITED

Seris : LPJXXXXXXXX/ LPXXXXXXXX/ LPAXXXXXXX